



Owner's Manual and Operating Instructions

# MODEL 10TSS

10 INCH TRIM SAW



**Caution:** Read and Understand all Safety and Operating Instructions before using this equipment



# Introduction

---

THANK YOU for selecting the Highland Park Lapidary Model 10TSS trim saw! Our dedicated team is confident that you will be pleased with your purchase. Highland Park Lapidary takes pride in producing top quality, highly dependable products for both hobby and commercial lapidary users throughout the world.

Operated correctly, your Model 10TSS trim saw will provide you with years of quality service, and piles of beautiful rocks. To help familiarize you with the features, maintenance and safe operation of the machine, we have included this owner's manual.

Please take the time to acquaint yourself with the Model 10TSS trim saw by reading and understanding this manual. If you have questions concerning your Model 10TSS trim saw, our customer service staff is waiting to help you - call 512-348-8528.

# Table Of Contents

---

<b>Product Safety</b> .....	1
<b>Machine Specifications</b> .....	3
<b>Setting Up the Machine</b> .....	4
Unpacking.....	4
Blade Installation.....	5
Spray Guard Installation.....	5
Removing Tray to fill Reservoir.....	6
Splash Guard Installation.....	7
Connect The Machine To The Power Outlet.....	7
Optional Accessories .....	8
<b>Maintaining Your Machine</b> .....	9
Adding or Changing Coolant.....	9
Replacing Or Changing The Saw Blade.....	10
Adjusting Belt Tension.....	12
General Cleaning.....	12
<b>Trim Saw Tips</b> .....	11
Avoid Blade Wobble.....	13
Coolant.....	13
<b>Using The Trim Saw</b> .....	14
How to Trim Cabochon Preforms.....	14
How to Cut Slabs.....	16
<b>Warranty Coverage</b> .....	18
<b>Exploded Views &amp; Parts List</b> .....	19
Main Components View #1.....	19
Main Components View #2.....	20
Arbor Assembly.....	21
Vise Assembly Exploded View.....	21
Screws & Fasteners #1.....	23
Screws & Fasteners #2.....	24

# Safety Precautions

Used incorrectly, all electrical equipment carries some risk. To eliminate danger to either yourself or the machine, please read and follow all safety, operating and maintenance instructions! Failure to read, understand and follow these instructions could result in injury or death to you or others, or result in damage and/or reduced equipment life.

## EYE PROTECTION

Safety glasses should always be worn when operating this machine. Regular eyeglasses do not provide proper protection and may not prevent eye injury - they are NOT safety glasses.

## HEARING PROTECTION

To reduce the possibility of hearing loss, always use hearing protection when operating this machine.

## PROTECT YOUR LUNGS

All diamond blades are designed to be used with water or oil, so all cutting should be done with sufficient water or oil (see figure 1). A respirator should be always worn when running the machine, because rock dust can be hazardous to your health. While the cutting fluid does reduce the dust, the dust particles are carried in the mist coming off the blade. This particle-filled mist can also be inhaled into the lungs, which is why we recommend always using a respirator when operating the saw.

*WARNING: Some materials contain minerals or metals that can be more toxic. For instance, metallic ores may contain some toxic materials, so before grinding and polishing any unfamiliar material, make certain that it will not produce toxic fumes or dust.*

## AVOID LOOSE CLOTHING AND HAIR

Do not wear loose clothing, gloves, neckties, rings, bracelets or other jewelry that may be caught in moving parts. Wear protective hair covering to contain long hair. Non-slip footwear is also recommended.

## DO NOT OPERATE MACHINE WITH GUARDS REMOVED

To prevent injury, never operate the saw without the guards in place.

## CONNECTING AND DISCONNECTING POWER

- **DISCONNECTING** The machine should always be disconnected (unplugged) before servicing or when changing blades.
- **CONNECTING - REDUCE THE RISK OF UNINTENTIONAL STARTS** Make sure the ON/OFF switch is in the OFF position before plugging in the machine.

## ELECTRICAL SAFETY

- GFCI - When connecting this machine to power always use a GFCI (Ground Fault Circuit Interrupter). Because the trim saw can be used with water, the GFCI will prevent risk of electrical shock.
- Never touch electrical wires or motor components while the motor is running. Exposed, frayed or worn electrical wiring and plugs can be sources of electrical shock that could cause severe injury or burns.
- If an extension cord is used, it must not be longer than 12 feet and must be at least 14 gauge wire with a ground.
- Use this tool only with the proper power source 120V 60 Hz.
- If the wiring becomes damaged or frayed, replace it immediately.
- Do not allow water to come in contact with electrical components, and do not connect or disconnect the power with wet hands.
- Disconnect the power before servicing the machine or changing the blade.

## ROTATING OR MOVING PARTS

Keep hands, feet, hair, and clothing away from all moving parts to prevent injury. Never operate the motor with covers, shrouds or guards removed.

## KEEP WORK AREA CLEAN

- Cluttered work areas invite accidents. **Keep your work area clean and organized.**
- **DO NOT USE IN DANGEROUS OR HAZARDOUS ENVIRONMENTS** Do not operate equipment in dangerous or hazardous environments. Do not use power tools in damp or wet locations nor expose them to rain. Always keep the work area well lighted. Always work in a well-ventilated area.
- **KEEP CHILDREN AWAY** All visitors and children should be kept at a safe distance from the work area.

## WORK METHOD

- **DO NOT FORCE THE TOOL:** Your machine will do a better job and operate more safely at the feed rate for which it was designed. DO NOT change the pulleys to make the blade move faster, and don't push the rock hard against the cutting surface. Let the blade do the work.
- **USE THE RIGHT TOOL TO SERVICE THE SAW:** Do not force a tool or an attachment when servicing or operating this power tool. Use the correct tools for service or adjustments.
- **DO NOT OVERREACH:** Keep proper footing and balance at all times by not overreaching.
- **DO NOT OPERATE A TOOL WHEN TIRED:** When tired, take a break and relax.
- **ONLY OPERATE AT THE PROPER SPEED:** Do not modify the blade speed on the machine by changing pulleys or putting a faster motor on the machine. Severe personal injury and damage to the motor or equipment can result if operated at speeds above maximum.
- **NEVER LEAVE A TOOL RUNNING UNATTENDED – TURN POWER OFF:** Do not leave the machine until it comes to a complete stop. Always turn the tool off when leaving the work area or when work is finished.

## MAINTAINING THE MACHINE

- **CHECK FOR DAMAGED OR WORN PARTS** Before using the machine, check for damaged parts or wires. A guard or any other part that is damaged or worn should be replaced. Regularly check moving parts for proper alignment or binding.

- **USE RECOMMENDED ACCESSORIES AND PARTS** Consult the owner’s manual for recommended accessories and parts. Using improper parts and accessories may increase the risk of personal and/or bystander injury. Use only diamond blades that are designed for lapidary cutting.
- **USE ONLY RECOMMENDED COOLING AND LUBRICATING FLUIDS** Never operate a tool that requires coolant or lubricant in a dry state. This can lead to shortened tool life, tool damage and personal injury.
- **MAINTAIN TOOLS AND COOLANT** Keep the diamond blade sharp and change the cutting oil before it starts to get too dirty (oil will start looking muddy and thick). Keep the reservoir filled to the correct level for the best and safest performance. Always follow the maintenance instructions for sharpening the blade and servicing the saw.

## Specifications

<b>Trim Saw Model</b>	Model 10TSS
<b>Machine Weight</b>	72 lbs
<b>MAIN MOTOR</b>	
<b>Horsepower</b>	1/2HP
<b>Motor Voltage 110 volt / 60 Hz / Single phase</b>	110V/60Hz/ Single Phase
<b>Motor RPM</b>	1725 RPM
<b>Arbor Shaft 5/8"</b>	5/8"
<b>Blade Capacity</b>	10" (254 mm) diameter

**WORKPIECE SIZE** - The Highland Park Model 10TSS will accommodate manual cutting of specimens up to 3.25" (82.5mm) in height, and has a 16.437" (417 mm) x 13.875" (352 mm) work tray.

**RESERVOIR** - Approximately 1.9 liters (.5 gallon) of coolant is required to adequately cover the bottom of a 10-inch (254 mm) blade. See Figure 1 for proper lubricant level.

### COOLANT SELECTION

- **OIL** – The use of thin viscosity mineral oil (6-7 cst at 40 deg C) is advised. No other oil types are recommended since other types of oils may contain additives that will damage the seals, resulting in premature bearing failure.

When cutting hard materials like agate and jasper, we highly recommend using mineral oil.

- **WATER** – Some stones that are very soft or may absorb oil cannot be cut in oil without degrading the stone. In these cases, using water is acceptable. When water is used, then the water must be drained out of the saw every day when you are done cutting. The blade is made from steel and will rust less if the machine can dry out at the end of the day.
- **WATER SOLUBLE OILS** – We don't recommend the use of water-soluble oils, since they will not prevent rust from forming on the steel components and simply add cost with minimal value.
  - \* If you are running water or water-soluble oils and you get some rust forming on your blade, this is not covered by warranty. Light rust is not a big concern; simply use some steel wool or Scotch Brite to clean the blade, and then apply a coat of rust inhibitor.

## Setting Up Your Machine

The Highland Park Model 10TSS 10-inch Trim Saw has been carefully packaged for protection during transit from the factory to you. The blade has been factory installed and the arbor nut securely tightened. You should have the following when you unpack your unit:

- Highland Park Model 10TSS Trim Saw
- Splash Guard with mounting screw
- 10" Thinline Blade

### TOOLS NEEDED

- Phillips Screwdriver and 2 adjustable wrenches

### UNPACKING THE SAW

The 10-inch Trim Saw weighs approximately 72 lbs. (33 kg.) Take care when lifting the unit from the box, as improper lifting might cause personal injury or cause damage to the machine.

Your Highland Park Model 10TSS Trim saw has been shipped from the factory thoroughly tested and inspected. Choose a place in your workspace for your saw that allows adequate working space and has a convenient power outlet. Avoid using an extension cord; it's much safer to connect the machine directly to a wall power outlet.

Place the 10-inch Trim Saw on a flat surface such as a sturdy bench or table that is strong enough to support the machine, and is at a good working height for you.

**Blade Installation: (for video, go to [Changing the Blade on the 10TSS Trim Saw](#) on the Highland Park Lapidary YouTube channel.)**

- Unwrap the BLADE and wipe it off with a clean rag or paper towel to ensure that there is no dirt on the sides of the **blade** where the **arbor flanges** mount.
- Remove the 4 Phillips-head screws that hold the top tray to the reservoir tank. Once you remove the 4 screws, you can easily lift the tray off the top of the **reservoir**. Remove the arbor nut, the **outer flange**, **blade bushing** and **inner flange**.
- Wipe off all the components and the end of the **arbor shaft**. This will ensure that there are no small pieces of dirt that might get under the blade or **flanges** when they are installed. (Whenever you change the blade, be very careful that everything is clean. Even a small rock chip can make the **blade** wobble and run out of true.)
- Next, slide one of the **flanges** back on the arbor shaft, then slide the blade bushing onto the **arbor shaft**.
- Place the blade on the arbor shaft, positioning it on the **blade bushing** so the **blade bushing** is inside the hole on the **blade**.
- Carefully hold the **blade** in place and slide the second **flange** onto the **arbor shaft**. If you bump the blade, it may slip off the bushing and drop down a bit. If this happens, you will need to carefully put it back on the **blade bushing**.
- Next, you will put the **arbor nut** on the end of the **arbor shaft** and thread it on by hand until it seats against the **flange**. The **arbor nut** is a right-hand thread. Lightly snug the arbor nut, but don't tighten it yet. Turn the **blade** by hand to make sure it is turning true and is seated properly on the bushing. When you confirm this is the case, then you can use the two adjustable wrenches to tighten the arbor nut.

### SPRAY GUARD INSTALLATION



Place 1st flange flat side against arbor shaft, recessed side against blade.

- The spray guard covers the top of the blade during cutting and can be adjusted to control the amount of the blade that is exposed when cutting.
- Unwrap the spray guard, being careful to not lose the screw, washers, nut and spacer. Install the spray guard on the brackets at the back of the tray. Make sure that the spacer is in place as you put the screw through the brackets and spray guard. If you lose the spacer, then the spray guard won't stay properly in position.
- Tighten the screw holding the nut with an adjustable wrench until the spray guard can be raised and lowered easily, but stays in position. Before starting your saw, check to make sure that the spray guard is adjusted so that the blade is not touching it.

**For a video on [how to install the spray guard](#), see the Highland Park Lapidary YouTube page!**

## REMOVING THE TRAY TO FILL THE RESERVOIR

Since your tray is off and your blade is installed, you are now ready to fill the reservoir. Make sure that the drain plug is installed in the reservoir. Then, you can fill the reservoir until the coolant is covering about the bottom 3/8" of the blade (see below).



Line represents proper coolant level

Do not overfill the **reservoir**, as this will cause unnecessary spray while using the machine. Replace the **top tray** and carefully lower the tray down over the blade and into place, being careful not to bend the **blade**.

If you are filling your saw with the top ON, simply pour lubricant into the top slot, until water sprays from the front of the blade on its own. This will take a little over five quarts of water. Note: If you plan to run water in your machine, we suggest putting a ball valve on the **drain port**. This will make it much easier to drain the water at the end of each day.

## SPLASH GUARD INSTALLATION



Proper Splash Guard Installation

- The splash guard helps to reduce splash from coming out of the front of the trim saw when you are cutting. To install it, remove it from the packaging, being careful not to lose the screw and washers that are provided.
- Next, place the splash guard inside the front lip of the tray. Insert the screw through the hole on the front of the tray, and carefully thread it into the splash guard. Do not cross-thread it or force it - tighten lightly just so the splash guard does not move, Do not overtighten, or you may damage the splash guard mounting nut threads

## CONNECT THE MACHINE TO THE POWER OUTLET

- Check that the power switch is in the OFF position.
- Attach the power cord from the machine to the power outlet.
- Move the power switch to the ON position to start the rotation of the blade
- Check that the blade is rotating and running true. This indicates the saw is functioning properly. Move the power switch back to the OFF position.



Off/On Switch



**OPTIONAL ACCESSORIES (for video, go to [How To Set up Vise and Table on your 10" inch Stainless Trim saw](#) on the Highland Park Lapidary YouTube channel)**

Your Highland Park Model 10TSS 10-inch Trim Saw can also be used with two optional accessories:

- **Vise Assembly – part number 10SS008**

- \* The **vise assembly** option is easy to install on your Model 10TSS trim saw. Simply remove the left two Phillips screws in the tray and mount the vise with these two screws.

- \* Position the **vise assembly** to get it as parallel to the **blade** as possible; snug the screws and move the vise

forward and backward. The gap between the **vise** and the **blade** should be identical as you slide it from the front to the back.

- \* You can use the Highland Park Blade Alignment kit to help in getting the vise set perfectly. ***If the vise is not set parallel to the blade it can damage the blade with extended use!***

- **Clear Polycarbonate Hood – part number 10SS010**

- \* The **hood** provides an excellent way to reduce the mist that comes off the machine when you are cutting. The **hood** sits inside the **tray** and has an opening on each side. This allows you to put your hands in from either side when you are cutting, with good visibility looking through the clear hood.

# Maintaining Your Machine

Your Highland Park Model 10TSS 10-inch Trim Saw has been designed to require minimal upkeep. The following easy, routine maintenance will keep it running smoothly.

## ADDING COOLANT

As you run your trim saw, you will lose some coolant with each cut. Coolant, both water and oil, will remain on the stone you are cutting, and eventually the level in the reservoir will drop. If you notice that not as much oil or water is coming into your cut as you work, this is an indicator that it's time to add some coolant. There is no need to remove the tray each time; simply slowly add coolant as the saw is running until you see the coolant being delivered to your cut. Add the coolant slowly so you don't overfill it.

## CHANGING THE COOLANT

- After some period of time, depending on what materials you are cutting and how much cutting you are doing, the coolant will become full of mud from the cutting. You will notice that the oil coming up into the cut is very dirty. Continuing to run the saw when the coolant is very dirty will begin to affect the cutting process and increase the wear on the blade. To change the coolant, you will need to remove the tray, and then drain and clean out all the dirt, and replace the coolant with clean oil as follows:
- Unplug the machine from the electrical outlet.
- Remove the four Phillips head screws that hold the top tray to the reservoir tank. Note: When installing screws, make sure the screw is perpendicular to the hole. If it feels tight as you turn it, do not force it; this can damage the threads and break the screw, causing a significant problem.
- Do not tighten any of the screws until all four screws are in place and everything is aligned. Don't over tighten.



Remove all 4 screws from top

- Once you remove the 4 screws, carefully lift the tray straight up, being careful not to damage the blade as you lift it off the reservoir tank.
- Remove the blade carefully being careful to not bend the blade when you undo the arbor nut. The arbor nut is a right-hand thread. Note which way the flanges are installed so you can put them back together correctly.
- Clean the blade and inspect it for any damage. Replace damaged blades, as running a damaged blade can cause serious injury.
- If there is a thick layer of mud in the bottom of the reservoir, use a putty knife to carefully scrape the thick mud out. Avoid pushing thick mud into the drain port.
- Position a container under the drain and open the drain to let the dirty coolant out.
- Wipe out the reservoir and clean up the remaining mud and coolant.
- Use Teflon tape on the threads of the drain plug before putting it back in the drain port. If you are using a ball valve on your drain, then simply close the valve.

### REPLACING or CHANGING THE SAW BLADE

- Carefully clean both arbor flanges and the exposed end of the arbor shaft and wipe both sides of the blade off carefully. Grit or rock chips can make the blade wobble if they are on the flanges or blade when you reassemble it. Be certain the blade bushing stays in place in the center of the blade, and does not slip.

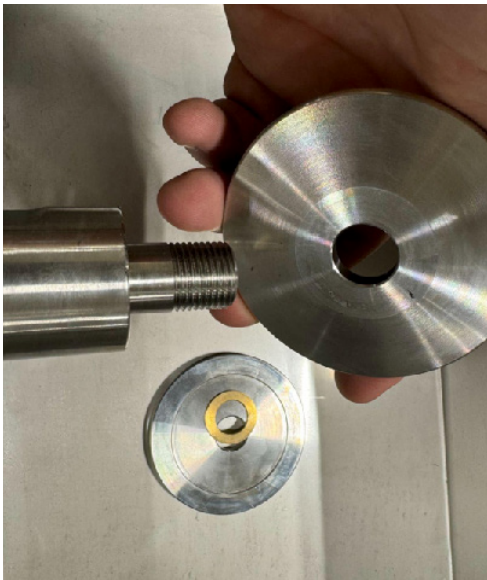


This blade bushing has slipped from the blade and will cause the blade to wobble or seize up.

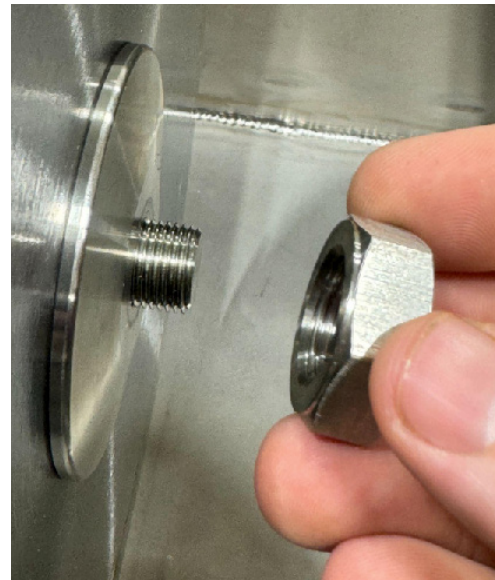


This blade bushing is perfectly aligned, which will allow your saw to cut cleanly and smoothly.

- Replace the first flange with the flat side of the flange against the arbor shaft and the recess towards the blade
- Put the blade bushing on and locate the blade properly on the bushing.
- Put the second flange on with the recess towards the blade. Slide it on, not allowing the blade to move, until the flange is against the face of the blade. Hold it firmly while putting the arbor nut in place, not letting the blade wobble. Rotate the blade by hand to verify that the blade is turning true, not wobbling either front to back or side to side. If it isn't turning true, take the arbor nut and flanges back off and make sure that the blade and blade bushing are in the correct position.
- Once the blade is running true, tighten the arbor nut. Don't over tighten the arbor nut, because doing so may damage the flanges and cause the blade to not run true.
- Carefully lower the tray back down onto the reservoir, being careful not to bend the blade. Replace the 4 screws.



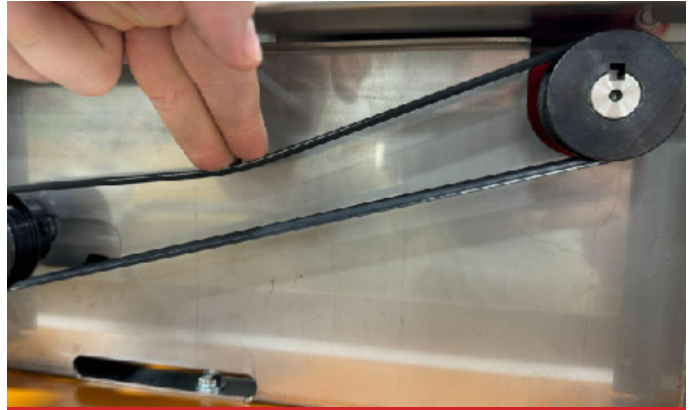
Place 1st flange flat side against arbor shaft, recessed side against blade.



Place second flange with the recess against the saw blade and secure with the arbor nut.

## BELT TENSION

The drive belt is adjusted and tensioned at the factory. However, after some amount of use, it may be necessary to adjust the tension on the belt if it begins slipping. To adjust the tension, first unplug the machine. Next, remove the side cover for the belt guard, loosen the motor mounting nuts, and move the motor back more so that no more than 1/2" (12.7 mm) of belt deflection occurs when the belt is depressed by fingertip pressure



Testing Belt Tension

## GENERAL CLEANING

With use, your Highland Park Model 10TSS Trim Saw may get some dust and oil residue on it. Keeping your machine clean is a good way to keep it looking great and avoid issues. Unplug the saw before wiping it down. You can use a mild cleaning solution like Formula 409 or Simple Green, but don't spray the cleaner directly on the machine. Instead, spray the solution on your cleaning rag, and then use the rag to wipe the surfaces of the machine.



# Trim Saw Tips

Whether you're a seasoned professional, new to the lapidary field, or somewhere in between, the HP Lapidary PT-110 trim saw will provide you with hours of enjoyment as you explore the fascinating world of rocks and minerals. Here are a few tips that will help you use your new saw successfully:

## AVOID BLADE WOBBLE

For a video on blade wobble, see "[Causes of Blade Wobble](#)" on the Highland Park Lapidary YouTube channel.

Your blade should be tight on the arbor and run without wobbling. Blade wobble will reduce the blade's effectiveness, make your cuts rougher, and in some cases, damage the diamond blade itself. Fortunately, it's easy to avoid - just make sure your blade is running true! Wobble generally can be identified by looking at the blade straight on and from the side. If it's wobbling, the blade will appear to have a slight side-to-side motion or moving front to back. The first thing to check is that your blade bushing is in the proper position. If it is, other issues can cause blade wobble.

Even though it looks like it's caused by a bent blade, a wobble is sometimes caused by small pieces of debris trapped between the shaft and the arbor or an improperly installed blade bushing. Even a tiny speck can keep your blade from running smoothly. To fix most wobble issues, take your blade off the shaft. Clean the shaft carefully, and run your fingers along the edges and surface of the arbor. If you find a small bur, use a file or wet/dry sandpaper to smooth the surface. Clean the saw blade's center hole, and make sure all the pieces are free from contamination. Make sure the blade bushing is in the proper position when reinstalling the saw blade, perfectly centered. Turn the blade by hand to verify that it is now running straight and true.

## COOLANT

Coolant is crucial to keeping the blade running smoothly and cleanly. Friction between the rock and the blade causes heat to build up, and the blade cools down again as it dips down into the coolant. Be sure to keep your coolant levels high enough that you can always see some coolant spraying onto your stone as you cut. Excessive spray means that you have overfilled the coolant reservoir; don't panic, the spray will reduce after you have cut a few stones.

Using thin viscosity mineral oil (6-7 cst at 40 deg C) as coolant is advantageous (but not required) when cutting hard materials such as jasper and agate. The trim saws may be used with water, but the water should be drained from the holding reservoir after each session to prevent rust buildup on the blade. Note: If you are running water or

water-soluble oils and you get some rust forming on your blade, *this is not covered by warranty*. A minor amount of surface rust will not affect the performance of the saw.

## Using The Trim Saw

### HOW TO TRIM CABOCHON PRE-FORMS

Creating a cabochon pre-form is the first step to making beautiful jewelry, and is a job your trim saw will do beautifully. You will find that trimming a slab allows the blade to move substantially faster through the rock than cutting rough, because the slab is thinner. There are a few things to remember when cutting pre-forms:

1. Highland Park Lapidary offers a variety of [well-designed templates](#) to trace geometric shapes on your slab in preparation for cutting. You also can create shapes using masking tape or contact paper, or draw a shape freeform. Choose the shape you want, then move the template around on the slab until you find the perfect



Move the template around the slab until you find a shape and color that you like.



Trace the shape onto the slab with a stylus or fine-tip Sharpie.

pattern. Use a fine-point Sharpie, or an aluminum or brass scribe, to trace the shape onto the slab.

2. Next step is to prepare your pre-form, cutting it from the slab. Turn on the saw and make sure the coolant is running freely. When pushing the rock into the blade, your fingers should hold the slab firmly on both sides. Avoid pushing your finger into the blade to eliminate chance of injury. The flat diamond-embedded edge will grind rock away, but it will not cut a finger off, unlike a wood saw. However, it can injure skin if used improperly.



Hold rock or slab firmly with both hands, keeping fingers away from the blade



While the blade grinds rather than cuts, pushing your finger against it can still result in injury if force is great enough.

- Some beginners make the mistake of trying to cut around curves, which can damage both the blade and the cabochon. Your blade is hard, flat, and does not bend around corners. Cut round objects by making straight cuts around them first, freeing them from the main slab. Then, use your trim saw to trim off the corners to make the piece more rounded. Patience is key here; trimming too quickly can result in fractured, uneven pre-forms .



Cut straight lines all around your shape.



Cut increasingly smaller straight lines to round the edges.

4. To finish the preform, clean up the sides by rubbing them against the edges of the running blade. Your pre-form is ready!



Continue cutting in small, straight cuts until you have a rough shape, leaving a small border outside of your line.



Your preform is now ready for the next step- polishing.

## HOW TO CUT SLABS

Your 10TSS trim saw can be used to cut slabs from rocks up to 3.25" in height. Highland Park Lapidary offers an add-on vise for the 10TSS (SKU: [10SS008](#)) that will help keep rocks for slabbing steady and parallel. If you don't



Do not hold rock at an angle with an empty space (or your finger!) between the rock and the blade. This can catch and pinch.



Instead, put the flattest part of the rock against the cutting table, allowing you to move the rock against the blade smoothly.

have a vise, cut a flat surface on the rock, and then use that surface on the bottom while slabbing to help the stone move more smoothly as you cut.

Cutting a good slab from a rock on a trim saw requires patience and the ability to allow the blade to do the work, rather than pushing or twisting the rock. To cut a slab, first examine your stone for a flat area that can sit securely against the cutting deck. This will be the bottom for your slab cuts and will sit flat against the machine. Avoid trying to cut at an angle; if you catch part of the rock on the saw and your finger is in the way, it can result in a nasty pinch! Progress SLOWLY, with just a little pressure on the rock. When the first cut falls off, it likely will have a little nub where the rock breaks off; use the saw to remove it.

After you have the first face cut, decide how thick you want your slab to be. Use a ruler to measure, and place a mark on the stone where you want to cut. Be sure to take the blade thickness into account, and place the measured mark so that it will just line up with the left edge of the blade.

Now comes the tricky part! Place the rock with the mark in line with the blade, making sure the flat cut is flush against the table of the saw. Be sure the flat surface is parallel to the blade, and keep it steady as the blade moves through the rock.

Remember, keep up slow, steady, light pressure on the rock to reduce blade marks and fracturing. Pushing the rock too fast through the trim saw, or turning it over to cut from a variety of angles, will create little microfractures in the rock that often won't go away with polishing.

Once you are finished, use the edge of the saw to trim off the nub that occurs when the slab falls from the stone (or, to avoid the nub, cut even more slowly as the slab nears the end). You have cut a slab on your trim saw!

**Enjoy your Highland Park  
10TSS Trim Saw**

**HAPPY CUTTING! :)**

# Warranty Coverage

## **Machines, Polishers, Diamond Blades & Core Bits and Motors**

Highland Park warrants to the original purchaser for a period of one year except as noted, from the date of purchase all products covered by this Warranty to be free of defects in materials and workmanship. This warranty is non-transferable and applies only to the original purchaser.

This Warranty shall not apply to any parts that have been subjected to misuse or improper service, that had been damaged in transit or handling, or that have been altered or repaired by unauthorized representatives. This Warranty does not cover defects caused by or resulting from misuse, abuse, neglect, or damage caused by accident or the failure to provide reasonable maintenance. This Warranty is void if the product or any of its individual components is altered or modified by the purchaser or if the product is used in a manner or with a blade not recommended by the manufacturer.

Any claim arising under this Warranty must be submitted by the original purchaser within the warranty period specified above and shall include proof of purchase. During said warranty period Highland Park shall, at its option, either replace or repair, at no charge to the original purchaser, any parts or components that are found to be defective by Highland Park. Highland Park shall not be responsible for or obligated to pay for freight or other transportation-related costs or expenses in connection with any defective products or components that are either returned to Highland Parks facility or any authorized repair station and/or any replacement products or components that are shipped from Highland Park pursuant to this Warranty.

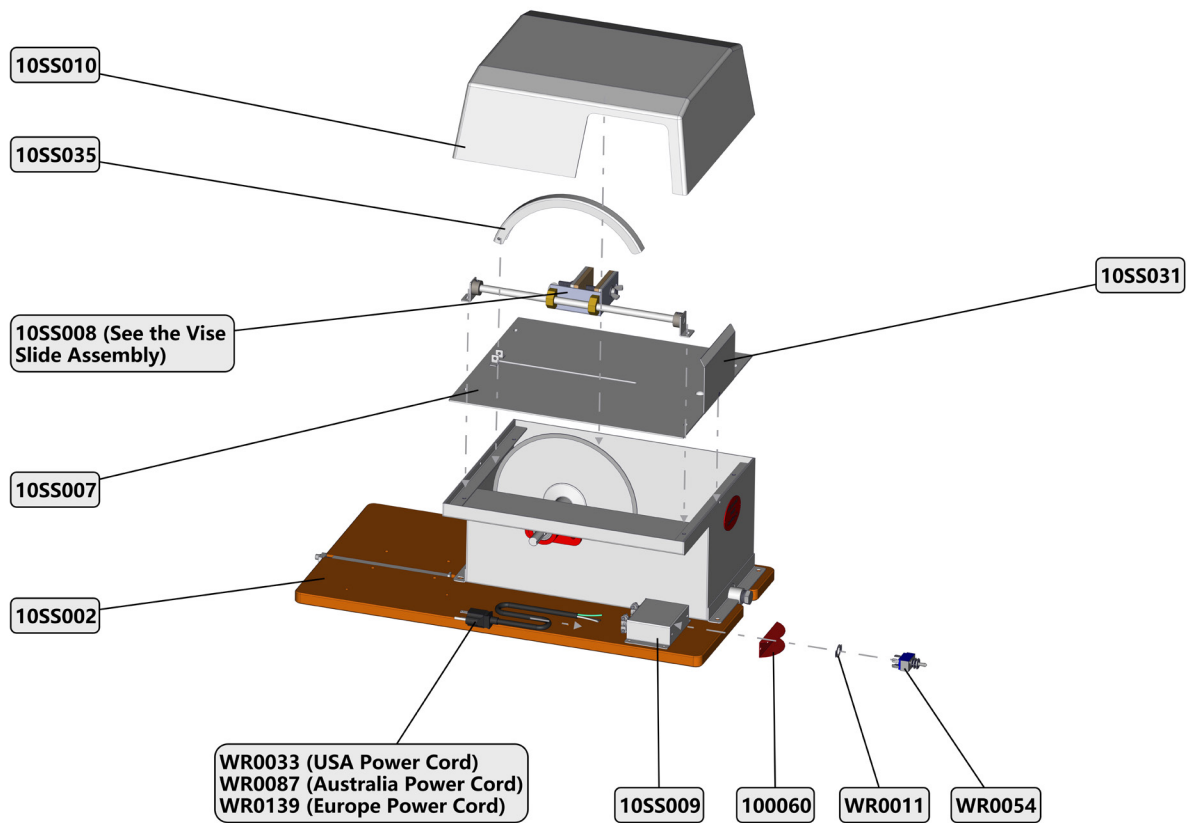
Parts and labor needed to maintain products and the replacement of components due to normal use are the purchaser's responsibility and are not covered by this Warranty. All products or components replaced under warranty become the property of Highland Park. All replacement parts will be considered to be part of the original product and any warranty on such parts will expire coincidentally with the original Warranty. Replacement part(s) installed by anyone else will be provided without a charge for such replacement part(s), but this Warranty will not apply to labor charges in connection therewith.

***IN NO EVENT SHALL ANY LIABILITY UNDER THIS WARRANTY EXCEED THE REPLACEMENT COST OF ANY DEFECTIVE PRODUCT OR COMPONENT THEREOF, AND HIGHLAND PARK SHALL NOT BE LIABLE FOR ANY INCIDENTAL OR CONSEQUENTIAL DAMAGES OR FOR ANY OTHER DAMAGE OR LOSS NOT EXPRESSLY ASSUMED AS SET FORTH HEREIN.***

The foregoing constitutes an expressed warranty on the terms set forth above and is the only warranty or warranties applicable to the products it covers. All other warranties, including, without limitation, the implied warranty of merchantability and/or fitness for a particular purpose or use being denied. This limited warranty is expressly in lieu of all other warranties, whether expressed or implied.

# Exploded Views And Parts Lists

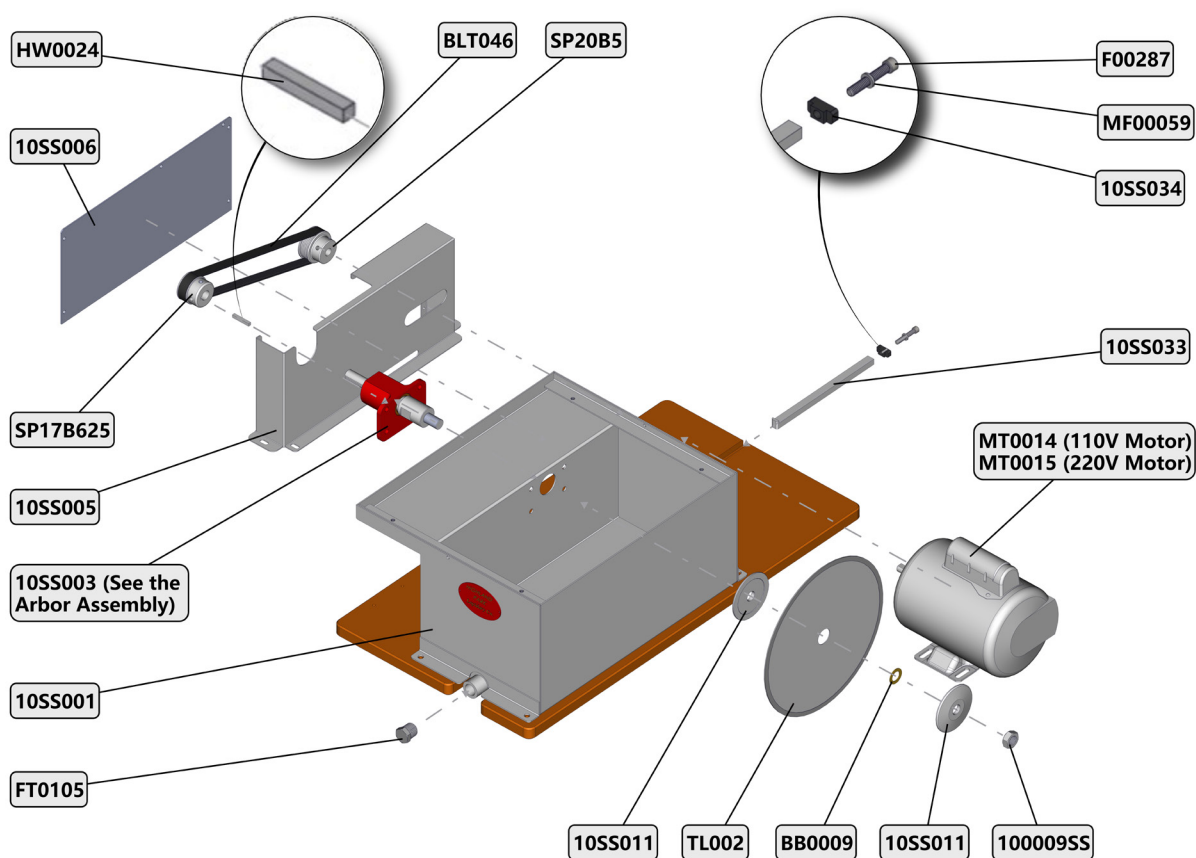
## MAIN COMPONENTS VIEW #1 PARTS LIST



Part Number	Description	Quantity
100060	Toggle switch guard	1
10SS002	Bakelite Base	1
10SS007	Table Assembly	1
10SS008	Vise Slide Assembly	1
10SS009	Switch Box	1
10SS010	Plastic Hood	1
10SS031	Splash Guard Assembly	1
10SS035	10SS Spray Guard Assembly	1

WR0011	On Off Switch Plate	1
WR0033	USA Power Cord	1
WR0054	Heavy duty toggle switch	1
WR0087	Australia Power Cord	1
WR0139	Europe Power Cord	1

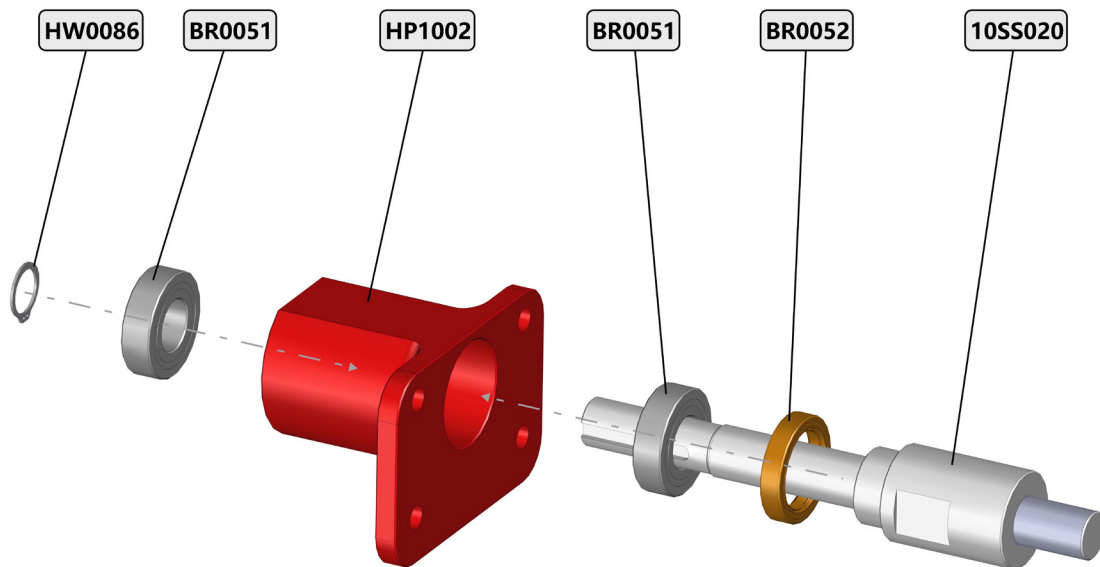
## MAIN COMPONENTS VIEW #2 PARTS LIST



Part Number	Description	Quantity
100009SS	5/8-18 Arbor Nut	1
10SS001	Tank Assembly	1
10SS003	Arbor Assembly	1
10SS005	Belt Guard Body	1
10SS006	Belt Guard Cover	1

10SS011	Flange	2
10SS033	Motor Adjust Bar	1
10SS034	Motor Adjust Guide	1
BLT046	Serpentine Style Belt	1
F00027	1/4-20 x 1-1/2 SHCS Socket Head Cap	1
FT0105	Stainless Steel Drain Plug	1
HW0024	Key Stock	1
MF00059	M6-1.0 Flat Washer	1
MT0014	Electric Motor	1
SP17B625	1.7 inch Serpentine Style Pulley with 5/8 inch bore	1
SP20B5	2 inch Serpentine Style Pulley with 1/2 inch bore	1
TL002	Saw Blade	1

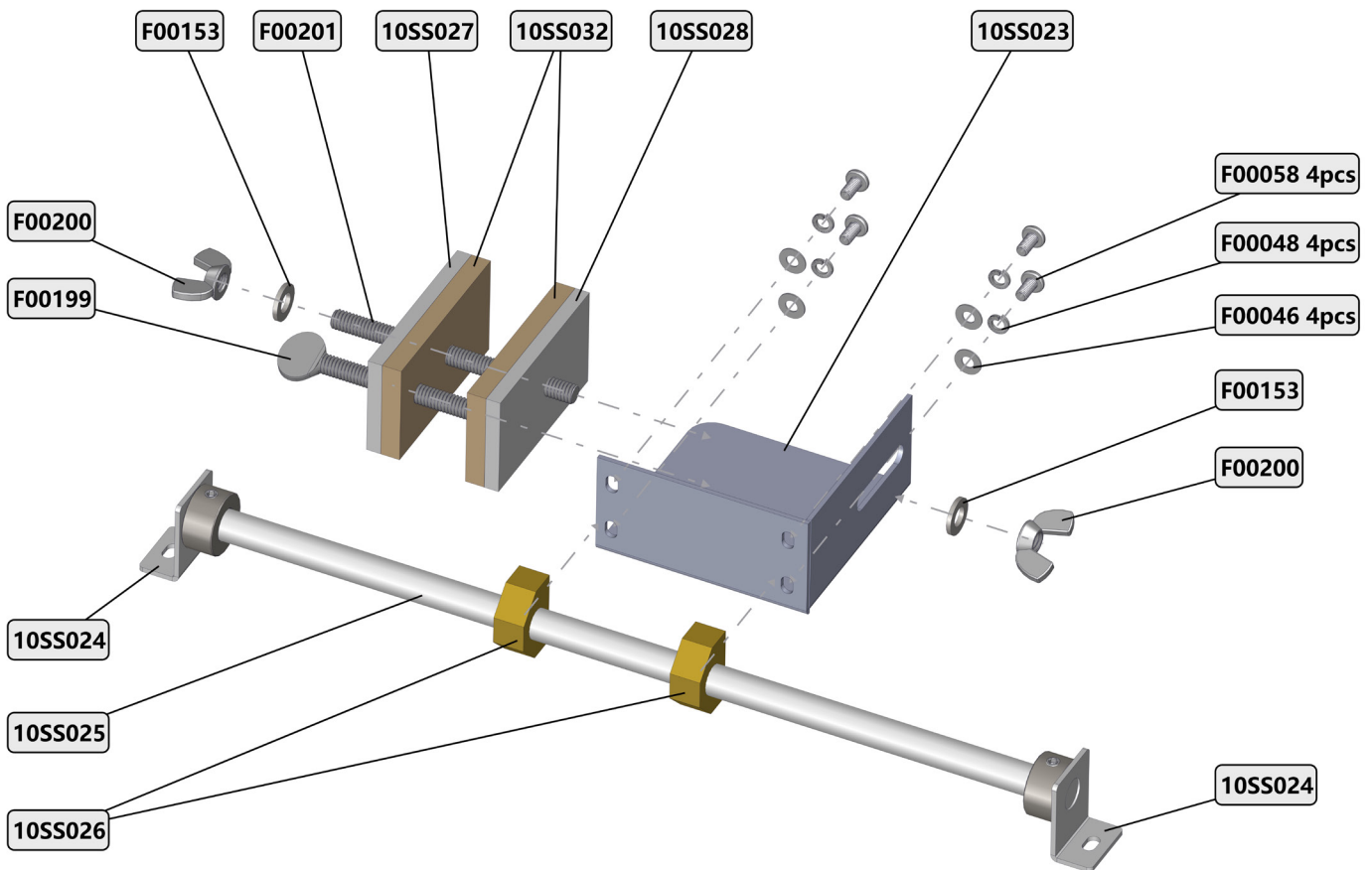
## ARBOR ASSEMBLY



Part Number	Description	Quantity
10SS020	Arbor Shaft	1
BR0051	Ball Bearing	2

BR0052	Arbor Shaft Seal	1
HP1002	Arbor Housing	1
HW0086	Retaining Ring	1

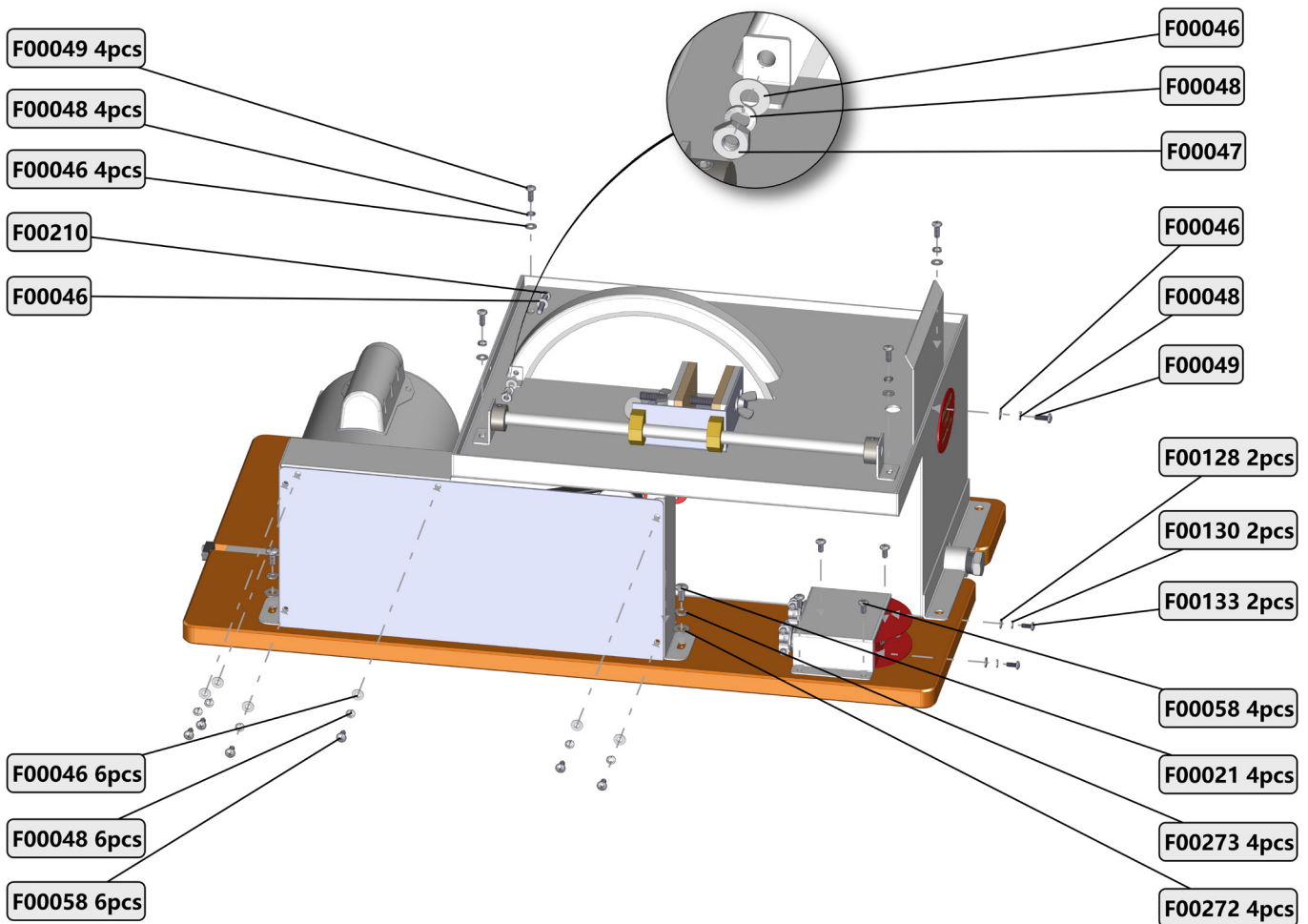
## VICE ASSEMBLY



Part Number	Description	Quantity
10SS023	Vise Body	1
10SS024	Vise Slide Bracket Assembly	2
10SS025	Vise Rail	1
10SS026	Vise Slide Block	2

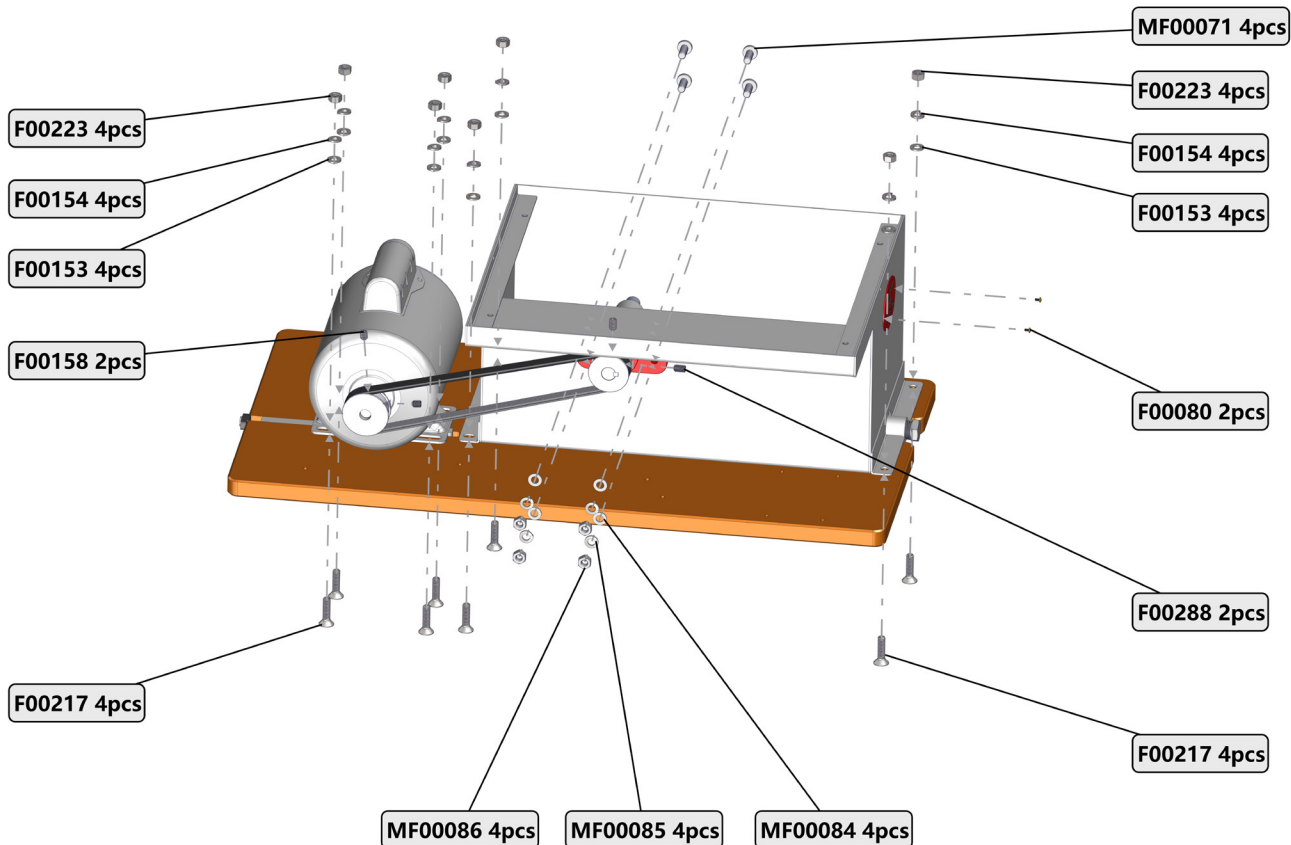
10SS027	Vise Back Jaw	1
10SS028	Vise Front Jaw	1
10SS032	Vise Wood	2
F00046	10-32 Flat Washer	4
F00048	10-32 Lock Washer	4
F00058	10-32 x 3/8 PHP Pan Head Phillips	4
F00153	5/16-18 Flat Washer	2
F00199	5/16-18 x 3" Spade Head Thumb Screw	1
F00200	5/16-18 Wing Nut	2
F00201	5/16-18 Threaded Rod	1

### 10TSS SCREWS & FASTENERS VIEW #1



Part Number	Description	Quantity
F00021	1/4-20 x 1/2 PHP Pan Head Phillips	4
F00046	10-32 Flat Washer	13
F00047	10-32 Hex Nut	1
F00048	10-32 Lock Washer	12
F00049	10-32 x 1/2 PHP Pan Head Phillips	5
F00058	10-32 x 3/8 PHP Pan Head Phillips	10
F00128	8-32 Flat Washer	2
F00130	8-32 Lock Washer	2
F00133	8-32 x 3/8 PHP Pan Head Phillips	2
F00210	10-32 x 1 1/4" SS304 PHP Pan Head Phillips	1
F00272	1/4-20 Flat Washer 304SS	4
F00273	1/4-20 Lock Washer 304SS	4

## 10TSS SCREWS & FASTENERS VIEW #2



Part Number	Description	Quantity
F00080	4-40 3/16 PHP Pan Head Phillips Brass	2
F00153	5/16-18 Flat Washer	8
F00154	5/16-18 Lock Washer	8
F00158	5/16-18 x 3/8 SS Set Screw	2
F00217	5/16-18 x 1-1/4 FHSCS Flat Head Socket 304SS	8
F00223	5/16-18 Hex Nut	8
F00288	5/16-18 x 1/2 SS Set Screw	2
MF00071	M8-1.25 x 20mm PHSCS Pan Head Socket	4
MF00084	M8 Flat Washer	4
MF00085	M8 Lock Washer	4
MF00086	M8 Hex Nut	4

# Model 10TSS: 10-inch Trim Saw Owner's Manual & Operating Instructions







[www.hplapidary.com](http://www.hplapidary.com)

## CONTACT US

[info@hplapidary.com](mailto:info@hplapidary.com)  
512-348-8528

## FOLLOW US

-  Highland Park Lapidary Co.
-  @hplapidary
-  Highland Park Lapidary
-  @highlandparklapidary

## LIFE'S TOO SHORT TO CUT UGLY ROCKS!

### HIGHLAND PARK LAPIDARY LIVE EVENTS

Mondays, Wednesdays, Thursdays,  
Fridays and Saturdays  
Starts at 7:00 PM EST

